

Flake Ice Machine

SFM 200

CAPACITY TABLE

Water inLet Temperature

Ambient Temperature

kg/day	5 C	16 C	25 C	30 C
15 C	20.000 Kg			
30 C		19.400 Kg		
35 C			18.800 Kg	
45 C				18.200 Kg

UNIT PICTURE

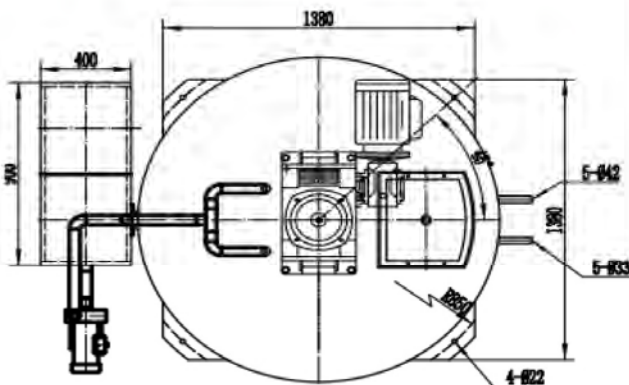
Heigh:
2500mm



Length:
5000mm

Width:
1700mm

EVAPORATOR BASE



Unit Code	SFM -200
Cooling Capacity	112037 watt
Ice Production (24h)	20000.kg
Ice Production (1h)	832 kg
Ice Thickness	~ 1,8 mm.
Compressor Type	Semi Hermetic
Compersor Displacement	486.56 m3/h
Compressor Brand	Refcomp/Frascold/Dorin
Compressor Power Input	65.9 kw.
Compressor Current	135.4 Amper
Compressor COP	1,76
Evaporator Type	Vertical Drum
Evaporation Temp.	-28C
Condenser Type	Sea Water Cooled
Condenser Water Flow	38 m3/h
Condenser Velocity	1,615 m/s
Refrigerant	R-404a
Pump Power	0,37 kw
Pump Water Flow	25 lt/min
Reductor Motor Power	1,5 kw
Total Unit Weight	3800 kg.
Water Inlet	3/4"
Water Outlet (Drain)	Drain 3/4"
Water Type	Sea Water
Noise (within 3m)	~78 dBA
Electric Board	Include
Voltage	380V / 50Hz / 3Ph