

# FLAKE ICE MACHINE

## F200C

### CAPACITY TABLE

Water inLet Temperature

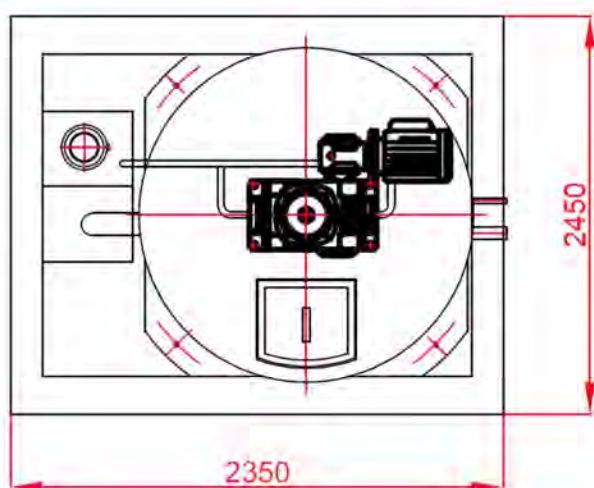
Ambient Temperature

kg/day	5 C	16 C	25 C	30 C
15 C	21.500 kg			
30 C		20.000 kg		
35 C			19.600 kg	
45 C				19.000 kg

### UNIT PICTURE



### EVAPORATOR BASE



Unit Code	F200C
Cooling Capacity	113.830 watt
Ice Production (24h)	20.000 kg.
Ice Production (1h)	834 kg.
Ice Thickness	~ 1,8 mm.
Compressor Type	Semi Hermetic
Compresssor Displacement	369,4 m3/h
Compressor Brand	Refcomp/Frascold/Dorin
Compressor Power Input	65,37 kw
Compressor Current	116,68 Amper
Compressor COP	1,74
Evaporator Type	Vertical Drum
Evaporation Temp.	-20C / -22C
Condenser Surface	519 m2
Condenser Air Flow	124.670 m3/h
Condenser Fans	6x800mm
Refrigerant	R-404a
Pump Power	0,25 Kw. 380V
Pump Water Flow	1400 kt/h 2mss
Reductor Motor Power	1,1 kw
Total Unit Weight	4600 kg.
Water Inlet	3/4"
Water Outlet (Drain)	Drain 3/4"
Water Type	Fresh (City Water)
Noise (within 3m)	~85 dBA
Electric Board	Include
Voltage	380V / 50Hz / 3Ph