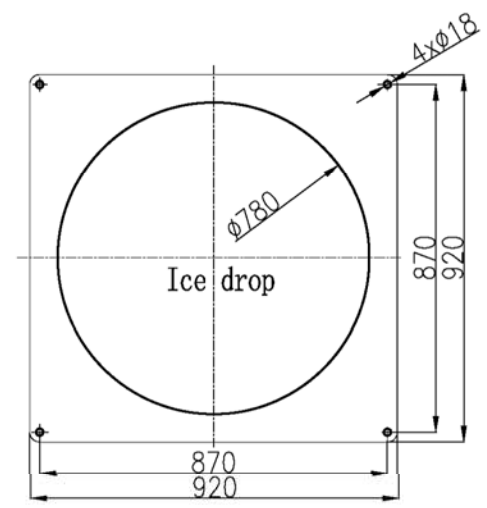
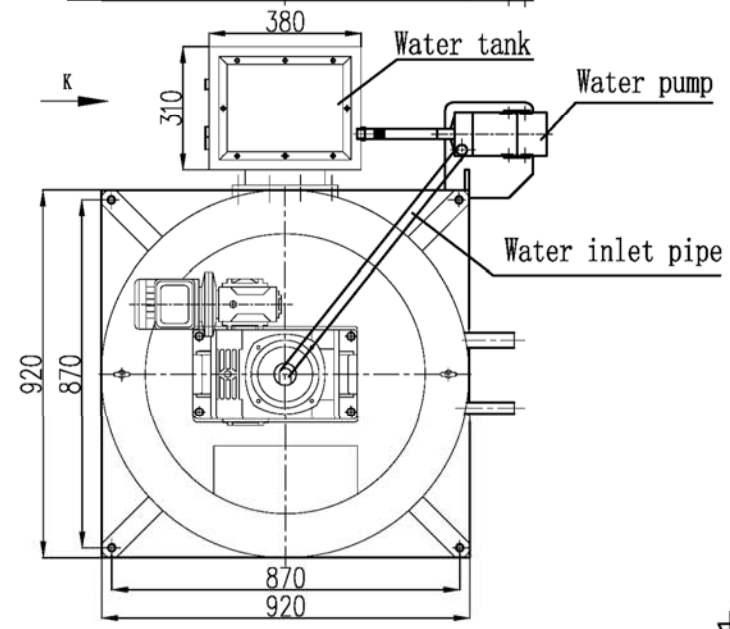
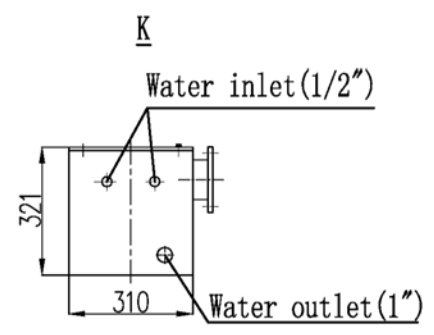


Technical data

Standard operation conditions	water inlet temperature	16°C
	Ambient temperature	25°C
Evaporative temperature		-28°C~-30°C
Required refrigeration capacity		25735kcal/h
Refrigeration		R404A
Capacity		5.0T/24H
Voltage		380V/50Hz/3P
Reductor power (KW)		0.55
Water pump (KW)		0.13
Weight/set (Kg)		546kg
Outer diameter of liquid receiver		cu25x2
Outer diameter of return gas pipe		cu35x2



Itemref	Quantity	Title/Name, designation, material, dimension etc	Article No./Reference		
Designed by	Checked by	Approved by - date	File name	Date	Scale
	CHECKED_BY	APPROVED_BY_DATE	FILENAME	10.07.20	SCALE
Drawing of SFM50S on boat					
DRAWING_NUMBER			Edition	Sheet	
			EDITION	SHEET	